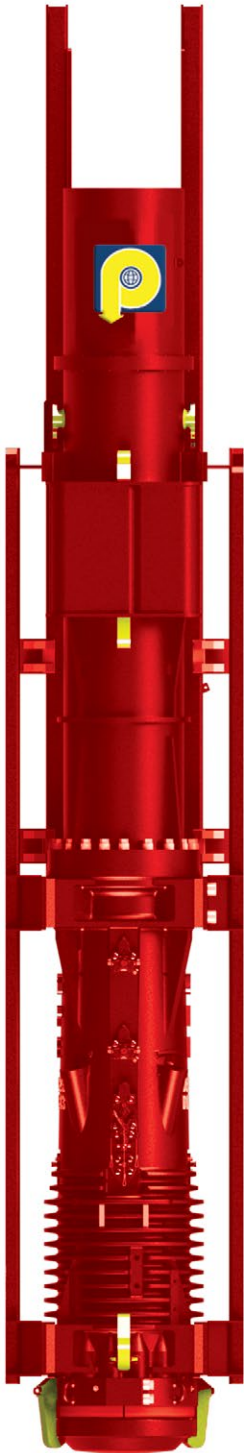
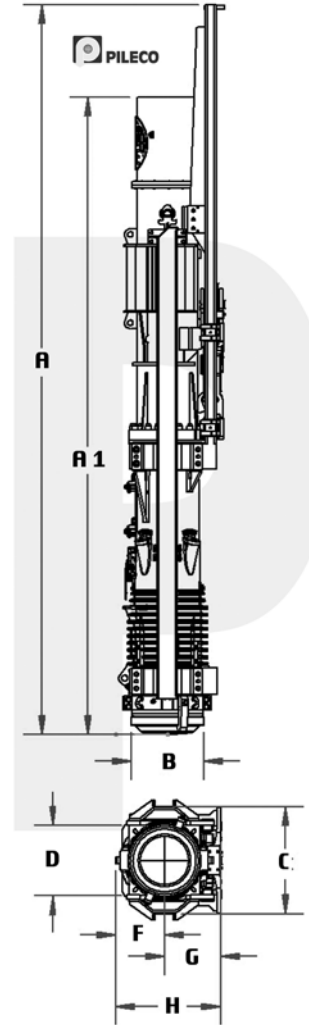


## Specifications: D 80-23 Diesel Pile Hammer

### Dimensions approx:

Hammer Length:	A1	7211 mm	23' 8"ft
Hammer Length w/starter guides:	A	8257 mm	27' ft
Outer diameter of impact block:	B	820 mm	2' 8" ft
Min. Guiding Width:	C	1067 mm	42" in
Width of Hammer:	D	900 mm	35" in
Hammer Center to Pump Guard:	F	549 mm	1' 10" ft
Hammer Center to Trip:	G	634 mm	2' ft
Hammer Depth:	H	1270 mm	4' 2" ft



### VIEW PARTS MANUAL HERE

Pump Setting 1	171.5 kNm	126,123 ft.lbs.
Pump Setting 2	197.3 kNm	145,100 ft.lbs.
Pump Setting 3	240.5 kNm	176,840 ft.lbs.
Pump Setting 4	267.8 kNm	196,929 ft.lbs.

### Weights approx:

Weight of diesel pile hammer approx.:	19.28 US tons	38,559 lbs
Weight of piston approx.:	8000 kg	17,637 lbs
Impact Block approx.:	2100 kg	4,630 lbs
Tripping device approx.:	870 kg	1,918 lbs
Tool box approx.:	125 kg	275.6 lbs

### Energy Per Blow

Max:	267.8 kNm	196,929 ft lbf
Min:	171.5 kNm	126,123 ft lbf
Number of blows:		36–45 min

### Batter Info

Max. gradient of batter pile driven:	1:2/1:1
--------------------------------------	---------

### Consumption

Diesel fuel:	25 L hr.	6.6 gph
Lubrication oil:	2.9 L hr.	0.76 gph

### Volume

Diesel oil tank:	155 L	40.9 gal
Lube tank:	32 L	8.45 gal