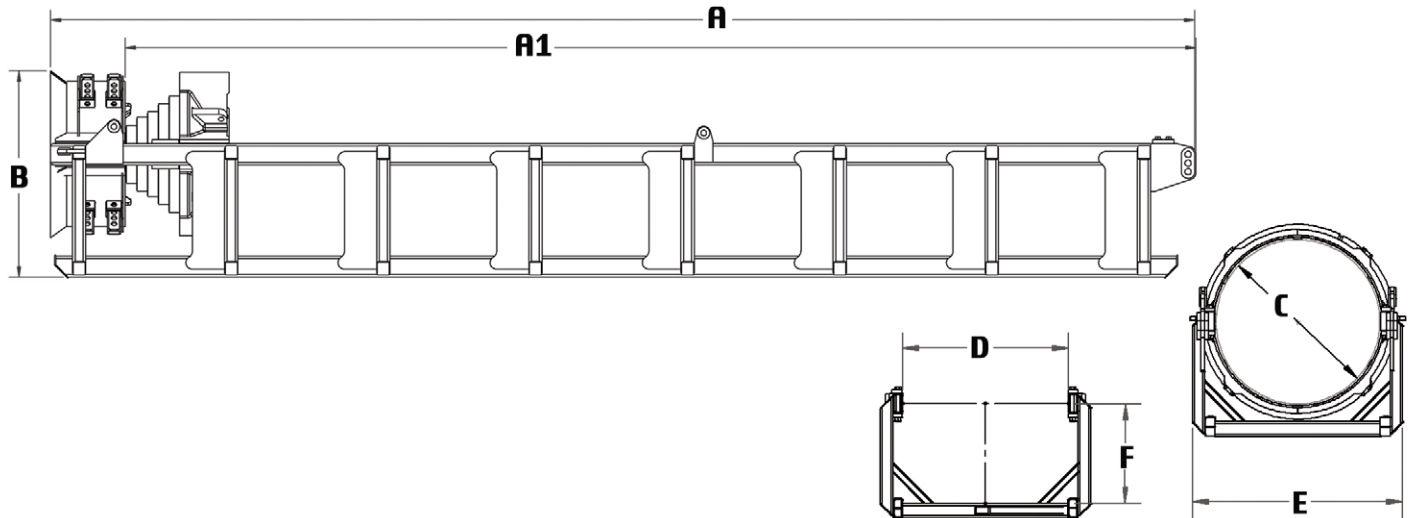


2e Havenstraat 6 • 1976 CE IJmuiden • the Netherlands

OFFSHORE LEAD A104 SERIES



Standard Units

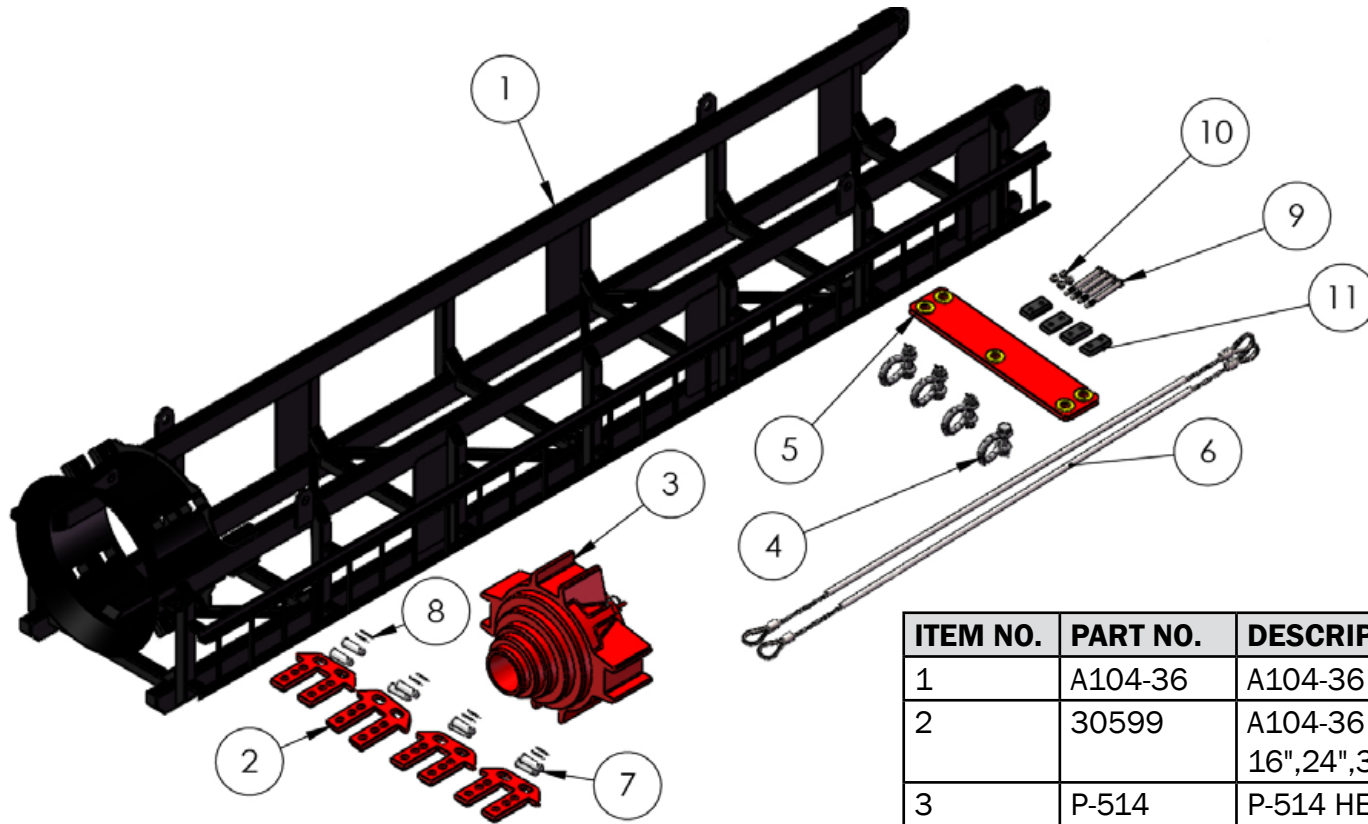
Lead Type and P#	A	A1	B	C=pile Ø	D	E	F	Lead Weight lbs	Helmet	Weight Total approx. lbs for P# assembly
A104-36 (P-700)	27.2 ft	25 ft	62.5 in	36 in	42.5in x 8	58.5 in	29 in	7,000	P-514	15,352 lbs.
A104-42 (P-701)	36 ft	33.5 ft	72 in	42 in	48.5in x 8	66.5 in	37 in	7,500	P-515	24,551 lbs
A104-48 (P-702)	36 ft	33.5 ft	75 in	48 in	54.5in x 8	72.5 in	39 in	11,908	P-515	29,984 lbs
A104-66 (P-704)	40 ft	38.5 ft	85 in	66 in	66.5in x 8	84.5 in	40 in	13,880	P-516	45,757 lbs

Metric Units

Lead Type and P#	A	A1	B	C=pile Ø	D x 200mm	E	F	Lead Weight Kg	Helmet	Weight Total approx. Kg for P# assembly
A104-36 (P-700)	8.3m	7.62 m	158.8cm	91.4cm	108cm	148.6cm	73.7cm	3,175	P-514	6,964 kg
A104-42 (P-701)	11m	10.21m	182.9cm	106.7cm	123.2cm	169cm	94cm	3,402	P-515	11,136 kg
A104-48 (P-702)	11m	10.21m	190.5cm	121.9cm	138.4cm	184.2cm	99.1cm	5,198	P-515	13,601 kg
A104-66 (P-704)	12.2m	11.7m	216cm	167.6cm	169cm	214.6 cm	101.6cm	6,296	P-516	20,755 kg

P-700

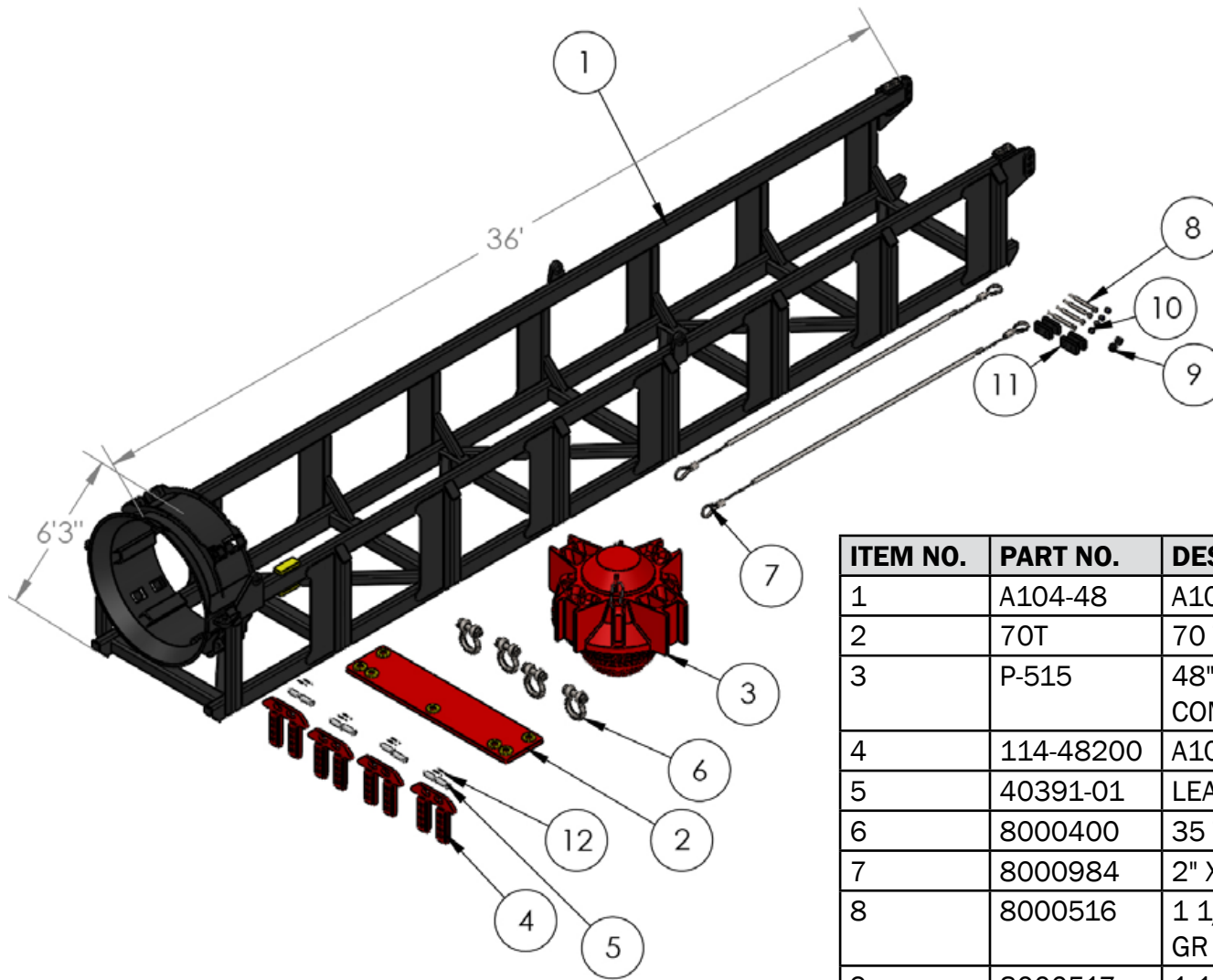
A104-36 OFFSHORE LEAD COMPLETE



ITEM NO.	PART NO.	DESCRIPTION	QTY.	WEIGHT
1	A104-36	A104-36 OFFSHORE LEAD	1	7,000
2	30599	A104-36 GUIDE SHOE TO FIT 16",24",30"	4	349
3	P-514	P-514 HELMET ASSEMBLY	1	7,393
4	8000757	25 TON SHACKLE	4	18
5	50T	50 TON BRIDLE	1	349
6	8001898	WIRE ROPE SLING 1 1/2" X 14', 21TON VERTICAL PULL 6 X 37, (CBL)	2	110
7	40391-01	LEAD GUIDE SHOE PIN	8	49
8	90748	10MM X 90MM COTTER PIN	8	1
9	8000516	1 1/4-7 X 13 HEX HEAD CAPSCREW GR 8	4	21
10	8000514	1 1/4-7 NYLON INSERT LOCKNUT	4	14
11	06450	STOP BLOCK	4	48

TOTAL WEIGHT: 15,352

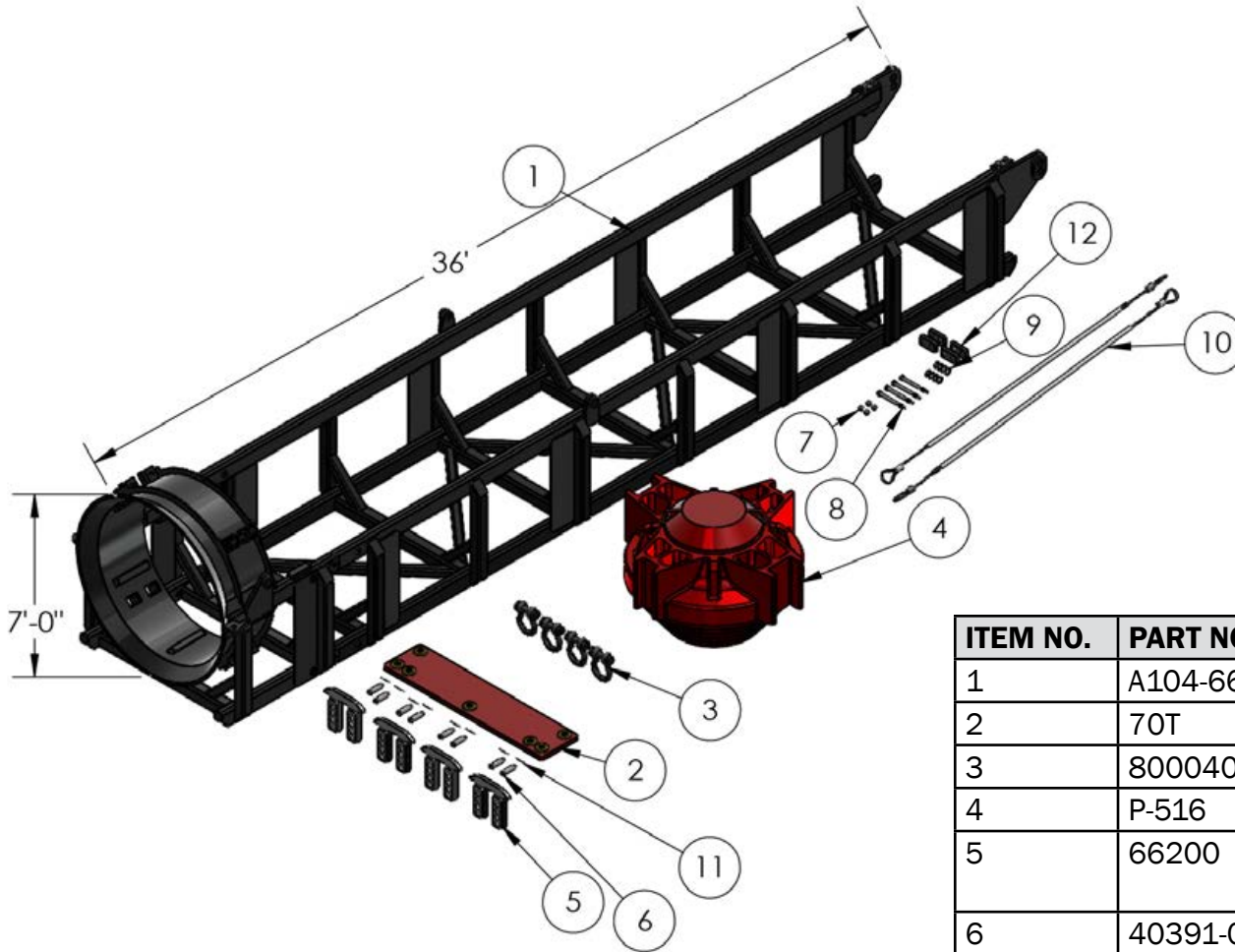
P-702 A104-48 OFFSHORE LEAD COMPLETE



ITEM NO.	PART NO.	DESCRIPTION	QTY.	WEIGHT
1	A104-48	A104-48 OFFSHORE LEAD	1	11,908
2	70T	70 TON BRIDLE BAR	1	900
3	P-515	48" OFFSHORE HELMET ASSEMBLY COMPLETE	1	16,092
4	114-48200	A104-48 GUIDE SHOE 42,36,30,24	4	507
5	40391-01	LEAD GUIDE SHOE PIN	8	49
6	8000400	35 TON SHACKLE	4	209
7	8000984	2" X 13.5 FT WIRE ROPE	2	243
8	8000516	1 1/4-7 X 13 HEX HEAD CAPSCREW GR 8	4	21
9	8000517	1 1/4 FLATWASHER	8	2
10	8000514	1 1/4-7 NYLON INSERT LOCKNUT	4	4
11	48032	STOP BLOCK	4	48
12	90748	10MM X 90MM COTTER PIN	8	1

TOTAL WEIGHT: 29,984

P-704 A104-66 OFFSHORE LEAD COMPLETE



ITEM NO.	PART NO.	DESCRIPTION	QTY.	WEIGHT
1	A104-66	A104-66 OFFSHORE LEAD	1	13,880
2	70T	70 TON BRIDLE BAR	1	900
3	8000400	35 TON SHACKLE	4	209
4	P-516	66" HELMET ASSEMBLY	1	29,981
5	66200	GUIDE SHOE ASSEMBLY 60,54,48,42	4	468
6	40391-01	GUIDE SHOE PIN	8	48
7	8000514	1 1/4-7 NYLON INSERT LOCKNUT	4	4
8	8000516	1 1/4-7 X 13 HEX HEAD CAP- SCREW GR 8	4	21
9	8000517	1 1/4 FLATWASHER	8	2
10	8000984	2" X 13.5 FT WIRE ROPE	2	243
11	90748	10MM X 90MM COTTER PIN	8	1
12	48032	A104-88/66 STOP BLOCK UPPER	4	48

TOTAL WEIGHT APPROX: 45,805